
7694 Sampler Covers

Description	HP Part No.	Qty
1 Cover, front sampler unit	301-115-HSP	1
2 Cover, rear sampler unit	301-116-HSP	1
3 Circlip, D5	300-900-HSP	2
4 Frame, sampler	301-113-HSP	1
Associated screws and nuts		
A Screw, M4 X 10 flat head	0515-0913	6
B Nut, M4 (square cage)	300-880-HSP	4

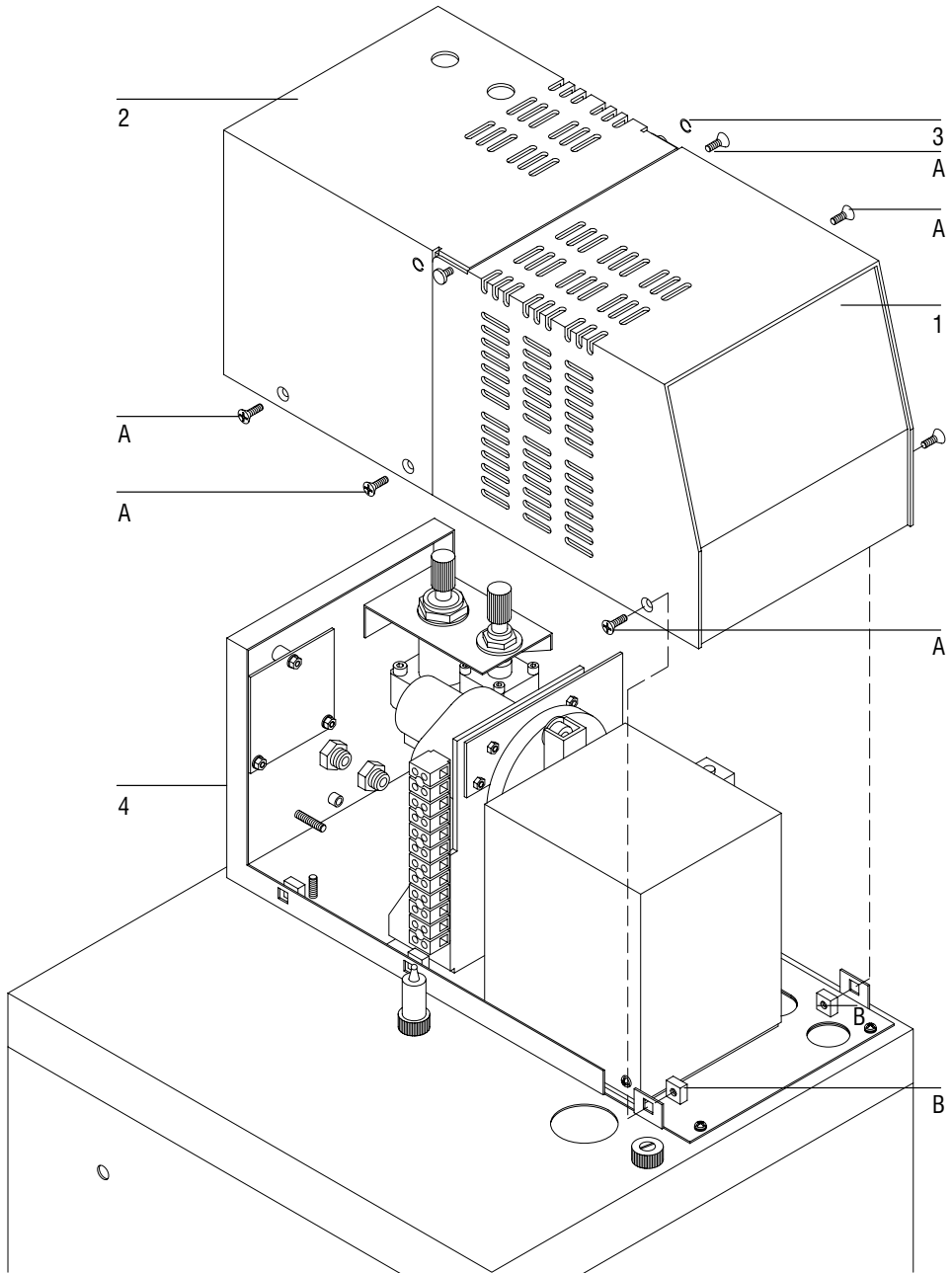


Figure 5-1. Removing the Covers